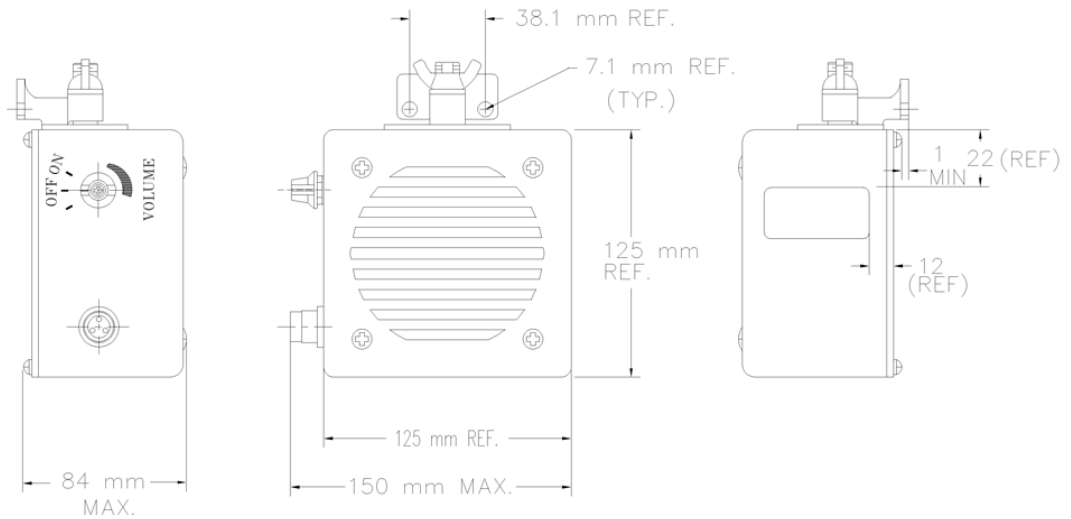


**LS-5028/VRC**

Amplified Loudspeaker for IRIS Program



Accusonic Products P/N  
G03A075-PFN



**SPECIFICATION:** IRIS SPEC #700274 AND MIL-L-12632

**ELECTRO-ACOUSTIC CHARACTERISTICS**

**SENSITIVITY:**

101dB BETWEEN 750Hz AND 1250Hz 1KHz RE. 20µPa AT 1.5FT DIST.

**RESPONSE:** SEE ENVELOPE (FIG.1)

**IMPEDANCE:**

1500 OHM MIN AT 1KHz

**POWER SOURCE:**

20-30 VOLTS + 2V PEAK RIPPLE

**DISTORTION:**

8% MAX. BETWEEN 300Hz AND 3400Hz WITH 6 VRMS INPUT

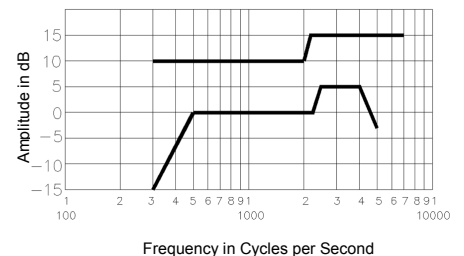


FIG. 1

**ACCUSONIC PRODUCTS**

6 Washington Ave.  
Bay Shore, NY 11706  
USA

Tel 631-667-1000

Fax 631-667-1001

www.accusonicproducts.com