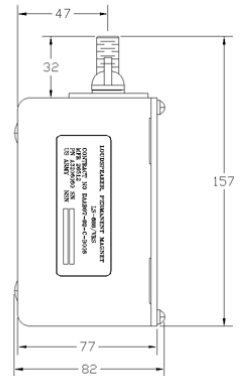
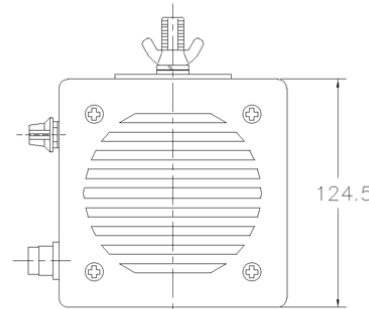
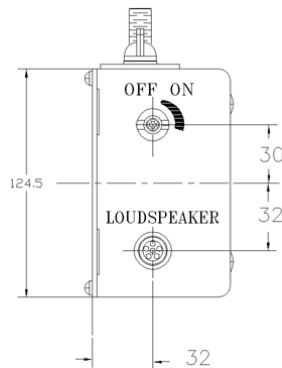
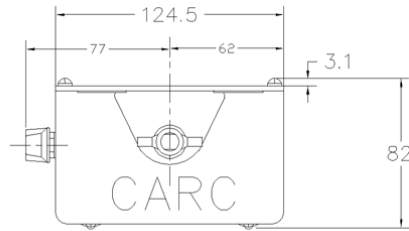


**LS-688/VRC Loudspeaker**



Accusonic Products  
P/N G03A053-PFN



**GENERAL SPECIFICATION:** MIL-L-12632  
ACCORDING SPECIFICATION FOR A3206080  
CONNECTOR MIL-DTL-55116/10B

**ELECTRO-ACOUSTIC CHARACTERISTICS**

**SENSITIVITY:** 95 dB MIN. REL 0.0002 DYNES/CM<sup>2</sup> AT 1KHz (2.82 VAC , 1 METER)

**RESPONSE:** SEE ENVELOPE (FIG.1)

**IMPEDANCE:** 4 ± 5% OHM

**DISTORTION:** 5% MAX. BETWEEN 400Hz AND 4000Hz

**WEIGHT:** 3.17 LB MAX.

**FINISH:** IAW MIL-F-14072 AND MIL-C-46168 COLOR NO.383  
34094 GREEN PER FED-STD-595

**ACCUSONIC PRODUCTS**

6 Washington Ave.  
Bay Shore, NY 11706  
USA

Tel 631-667-1000

Fax 631-667-1001

www.accusonicproducts.com

Picture is for illustration purposes only, actual product may vary

