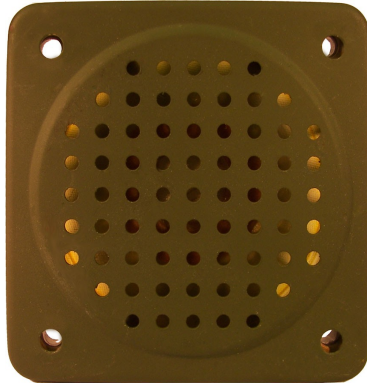
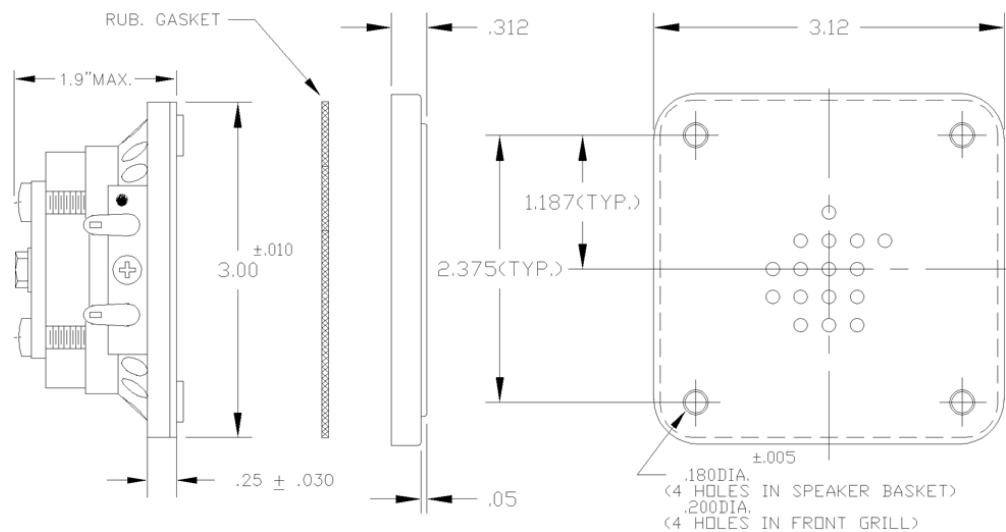


M12606-01 WITH FRAME
3" Loudspeaker with Frame



Accusonic Products P/N
G03A003-PFN



SPECIFICATION: MIL-DTL-12606

ELECTRO-ACOUSTIC CHARACTERISTICS

SENSITIVITY:

93dB BETWEEN 750Hz AND 1250Hz 1KHz RE. 20μPa AT 3FT

RESPONSE: SEE ENVELOPE (FIG. 1)

IMPEDANCE: 8 ± 1 OHM

DISTORTION:

5% MAX. AT 1000Hz, 2000Hz AND 4000Hz WITH 4 ± 0.1 VOLTS APPLIED

FINISH:

FRONT GRILL—CARC GREEN 383,
COLOR #34094 PER FED-STD-595

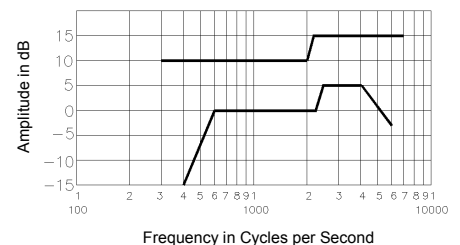


FIG. 1

ACCUSONIC PRODUCTS

6 Washington Ave.
Bay Shore, NY 11706
USA

Tel 631-667-1000

Fax 631-667-1001

www.accusonicproducts.com

Picture is for illustration purposes only, actual product may vary