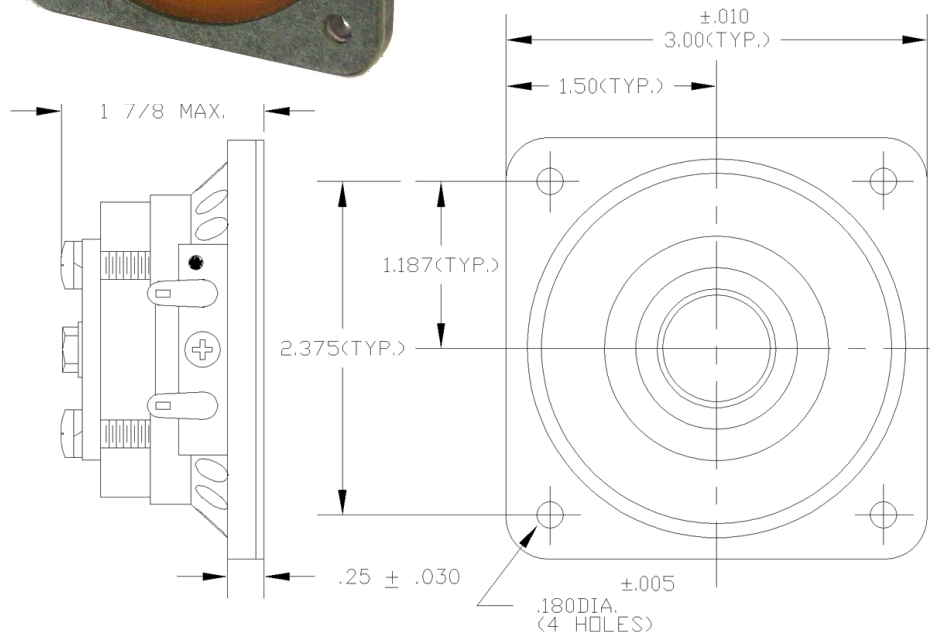


**M12606-01**

3" Loudspeaker I.A.W. MIL-DTL-12606



Accusonic Products P/N  
G03A003-PFD



SPECIFICATION: MIL-DTL-12606

ELECTRO-ACOUSTIC CHARACTERISTICS

SENSITIVITY:

93dB BETWEEN 750Hz AND 1250Hz 1KHz RE. 20μPa AT 3FT

RESPONSE: SEE ENVELOPE (FIG.1)

IMPEDANCE: 8 ± 1 OHM

DISTORTION:

5% MAX. AT 1000Hz, 2000Hz AND 4000Hz WITH 4 ± 0.1 VOLTS APPLIED

**ACCUSONIC PRODUCTS**

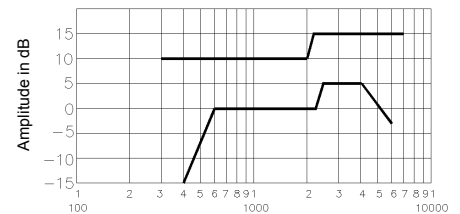
6 Washington Ave.  
Bay Shore, NY 11706

USA

Tel 631-667-1000

Fax 631-667-1001

www.accusonicproducts.com



Frequency in Cycles per Second

FIG. 1

Picture is for illustration purposes only, actual product may vary