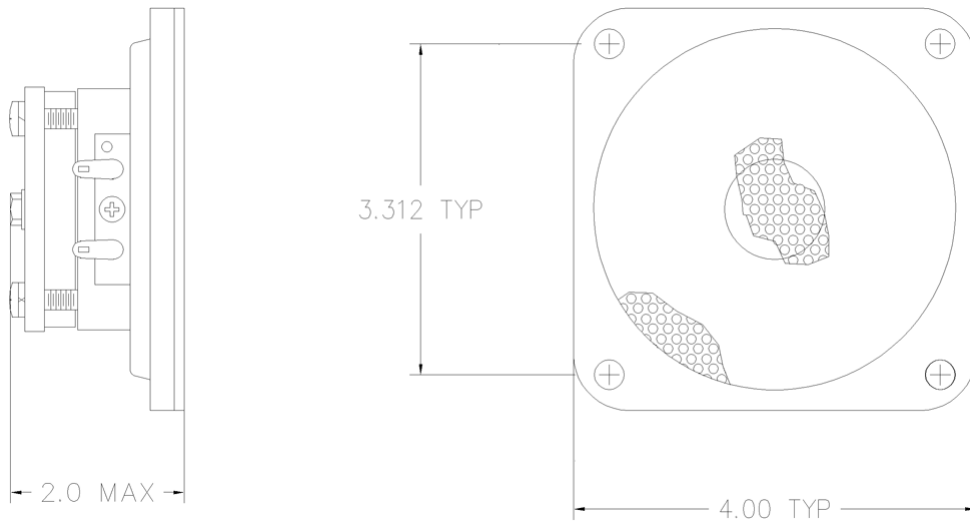


LS-445

4" Blast and Immersion Resistant Loudspeaker



Accusonic Products P/N
G03A001-PFD



SPECIFICATION: MIL-DTL-12606

ELECTRO-ACOUSTIC CHARACTERISTICS

SENSITIVITY:

95dB BETWEEN 750Hz AND 1250Hz 1KHz RE. 20μPa

RESPONSE: SEE ENVELOPE (FIG.1)

IMPEDANCE: 8 ± 1 OHM

DISTORTION:

5% MAX. AT 750Hz, 2000Hz AND 4000Hz WITH 4 ± 0.1 VOLTS APPLIED

WEIGHT:

1.2 LBS MAX.

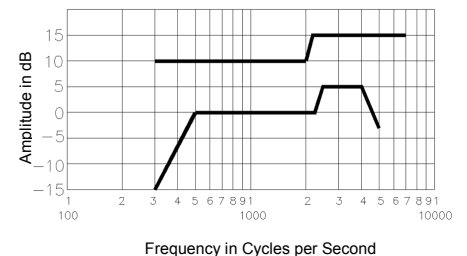


FIG. 1

Picture is for illustration purposes only, actual product may vary

ACCUSONIC PRODUCTS

6 Washington Ave.
Bay Shore, NY 11706

USA

Tel 631-667-1000

Fax 631-667-1001

www.accusonicproducts.com