

H-143/AIC Earphone



Accusonic Products P/N
G02A004-OFK

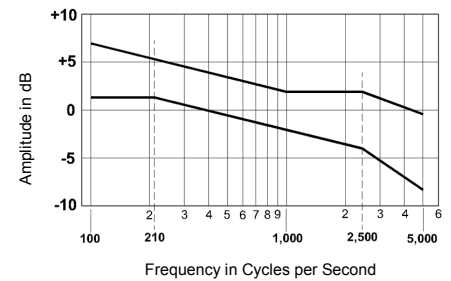
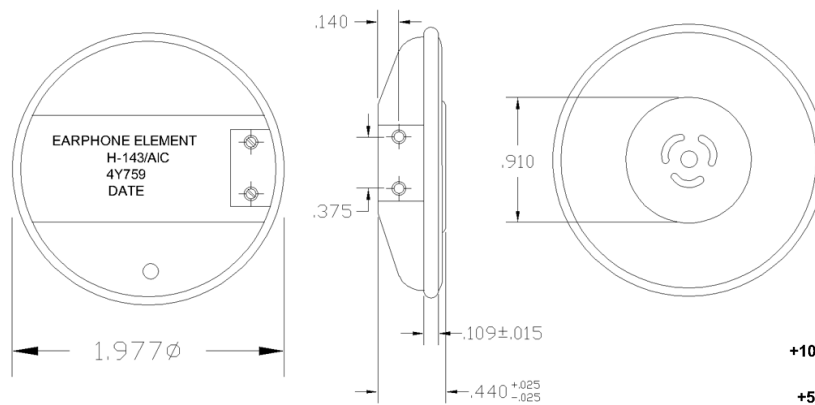


FIG. 1

SPECIFICATION: MIL-PRF-25670/2

ELECTRO-ACOUSTIC CHARACTERISTICS

SENSITIVITY:

105 ± 3dB AT 1KHz WITH AN INPUT OF 138mV ON A 6CC COUPLER

RESPONSE: SEE ENVELOPE (FIG.1)

IMPEDANCE:

19 ± 2 OHM

DISTORTION:

3% MAX. FROM 100Hz TO 2KHz
5% MAX. FROM 2KHz TO 5KHz

ACCUSONIC PRODUCTS

6 Washington Ave.
Bay Shore, NY 11706

USA

Tel 631-667-1000

Fax 631-667-1001

www.accusonicproducts.com

Picture is for illustration purposes only, actual product may vary