

H-143/AIC Type Earphone High Impedance



Accusonic Products P/N
G02A003-OFK

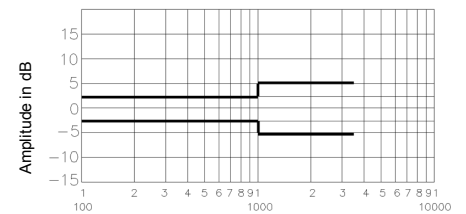
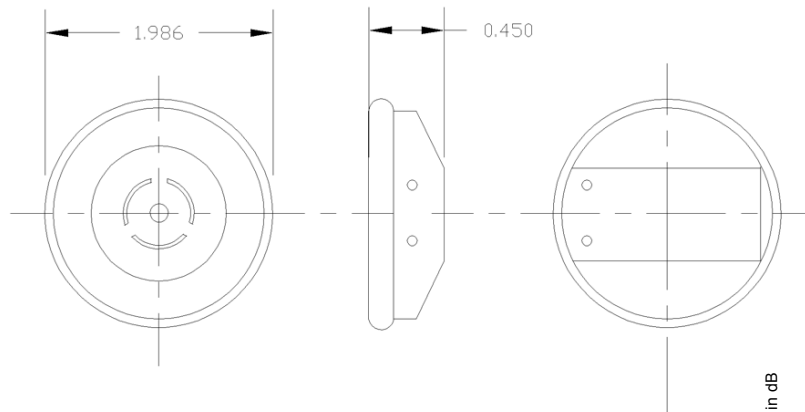


FIG. 1

SPECIFICATION: MIL-PRF-25670/5

ELECTRO-ACOUSTIC CHARACTERISTICS

SENSITIVITY:

105dB re. 0.0002 dynes/cm² MIN AT 1KHz WITH AN INPUT OF 1mW ON A 6CC COUPLER

RESPONSE: SEE ENVELOPE (FIG.1)

IMPEDANCE: 1000 ± 15% OHM

DISTORTION:

5% MAX. FROM 100Hz TO 3500Hz

ACCUSONIC PRODUCTS

6 Washington Ave.
Bay Shore, NY 11706
USA

Tel 631-667-1000

Fax 631-667-1001

www.accusonicproducts.com

Picture is for illustration purposes only, actual product may vary