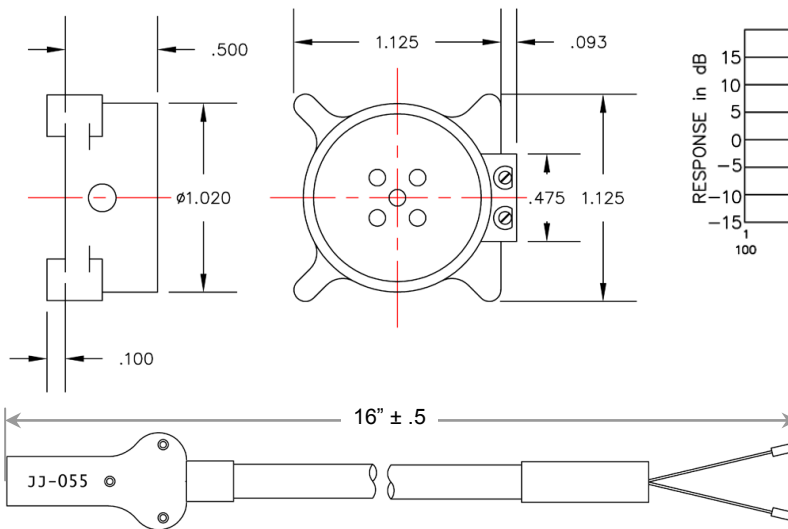


M-116()/G Dynamic Microphone



Part Number	Description
G01A008-PFK	Microphone with Gas Block Cable Assembly
G01A009-PFK	Microphone element alone



SPECIFICATION: MIL-PRF-26542/8

ELECTRO-ACOUSTIC CHARACTERISTICS

SENSITIVITY:

56 dB re. 1µV AT 1KHz WITH AN INPUT OF 28 DYNES/CM²VAC

RESPONSE:

SEE ENVELOPE (FIG. 1)

IMPEDANCE:

150 ± 20% OHM

DISTORTION:

5% MAX. FROM 300Hz TO 7KHz AT 114dB SPL

ACCUSONIC PRODUCTS

6 Washington Ave.
Bay Shore, NY 11706
USA

Tel 631-667-1000

Fax 631-667-1001

www.accusonicproducts.com

Picture is for illustration purposes only, actual product may vary